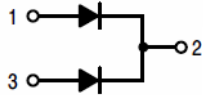
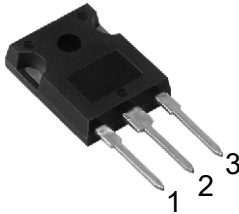


Superfast Recovery Rectifier

MUR3060PT

TO-247



Features

- Low forward voltage drop
- Low leakage
- High current capability
- Super fast switching speed
- High forward surge capability
- High reliability

Mechanical Data

- Popular TO-247 Package
- Case: Epoxy, Molded
- 150°C Operating Junction Temperature
- Ultrafast 50 Nanosecond Recovery Time

■ Maximum Ratings (T_a=25°C Unless otherwise specified)

Parameter	Symbols	MUR3060PT	Units
Maximum Repetitive Peak Reverse Voltage	VRRM	600	V
Maximum RMS voltage	VRMS	420	V
Maximum DC Blocking Voltage	VDC	600	V
Maximum Average Forward Rectified Current	I _(AV)	30.0	A
Reverse Recovery Time. IF=0.5A,IR=1A,IRR=0.25A	T _{rr}	50	ns
Peak Forward Surge Current 8.3 ms Single Half Sine Wave Superimposed on Rated Load (JEDEC Method)	I _{FSM}	300	A
I ² t rating for fusing (1ms< t < 8.3 ms)	I ² t	373	A ² S
Maximum Forward Voltage at 15A and 25°C	V _F	1.6	V
Maximum DC Reverse Current @T _A =25 °C at Rated DC Blocking Voltage @T _A =100 °C	I _R	10 500	μA
Typical Junction Capacitance (Note1)	C _j	85	pF
Operating and Storage Temperature Range	T _j , T _{stg}	-50 ~ +150	°C
Typical thermal resistance (Note 2)	R _{thJC}	35	°C/W

Note: 1. Measured at 1MHz and applied reverse voltage of 4 VDC.

2. Thermal resistance junction to case, lead and ambient in accordance with JESD-51.

Unit mounted on glass-epoxy substrate with 1oz/ft² 20x20 mm copper pad per pin with heatsink

RATINGS AND CHARACTERISTICS CURVES (TA = 25 °C unless otherwise noted)

FIG.1 - FORWARD CURRENT DERATING CURVE

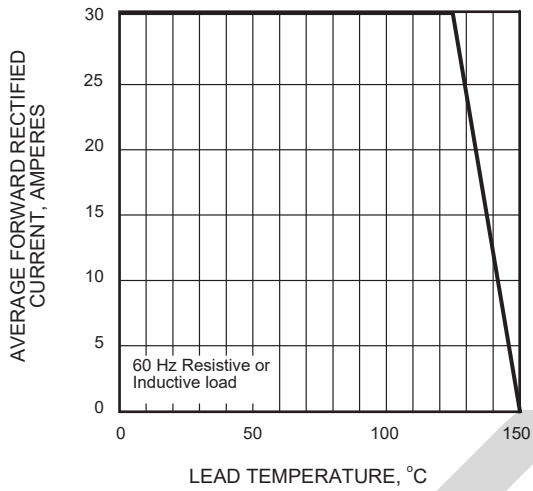


FIG.2 - MAXIMUM NON-REPETITIVE PEAK FORWARD SURGE CURRENT

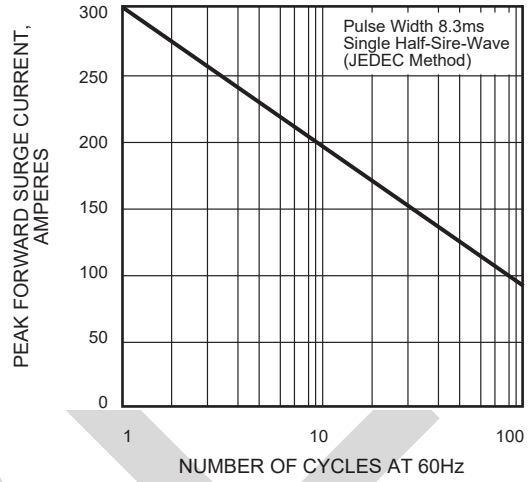


FIG.3 - TYPICAL INSTANTANEOUS FORWARD CHARACTERISTICS

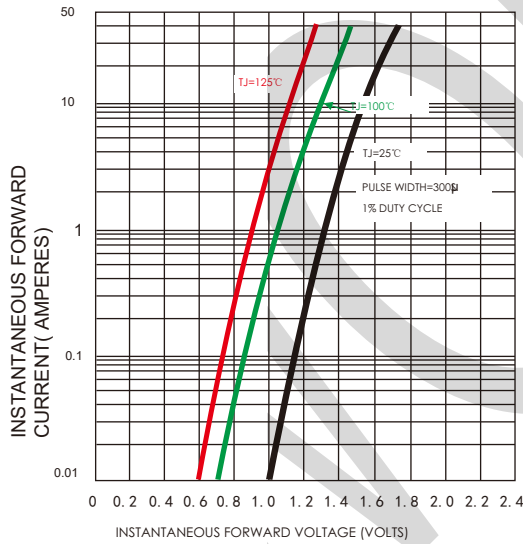
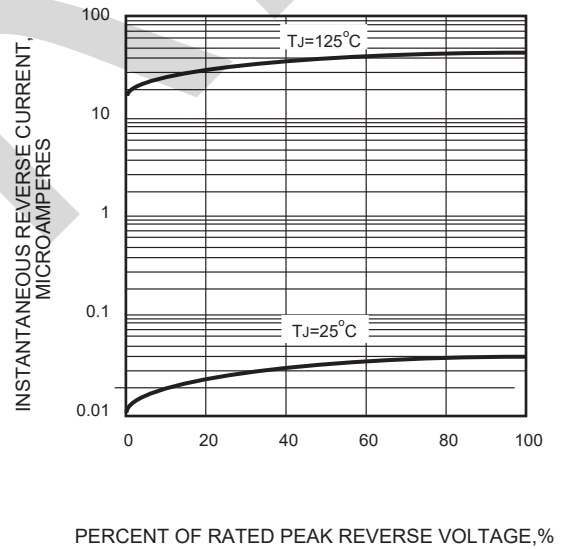


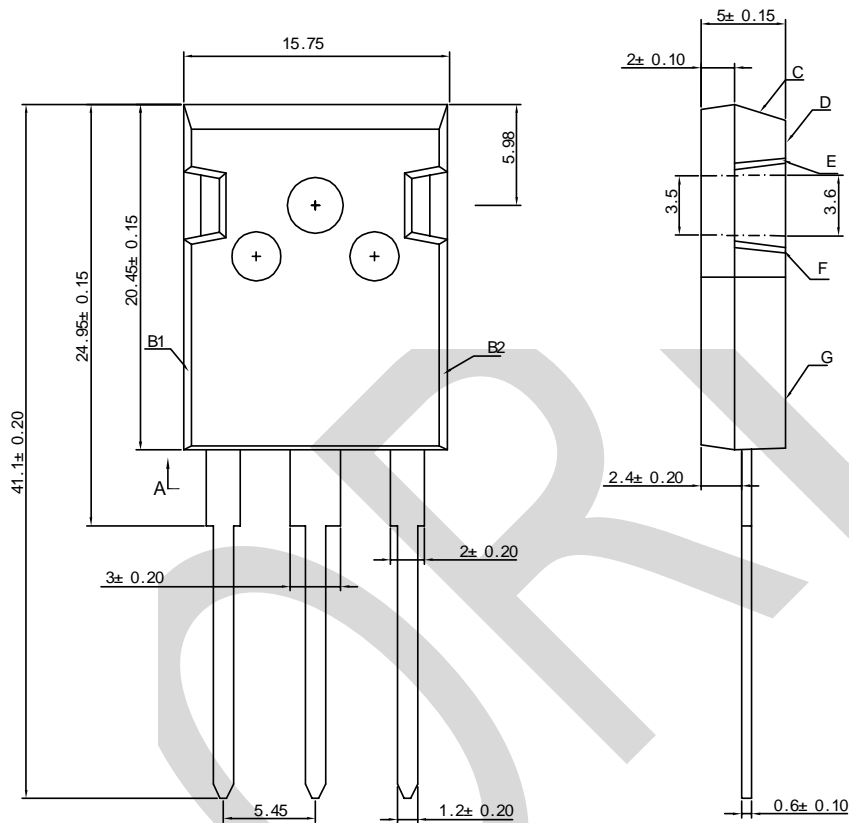
FIG.4 - TYPICAL REVERSE CHARACTERISTICS



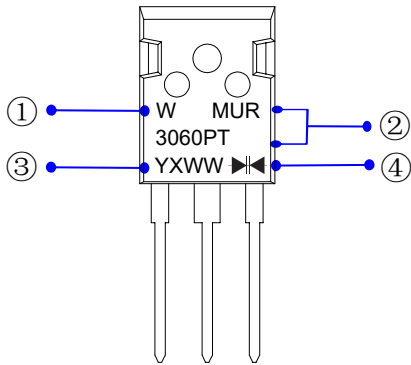
PACKAGE OUTLINE DIMENSIONS

Note:unit mm

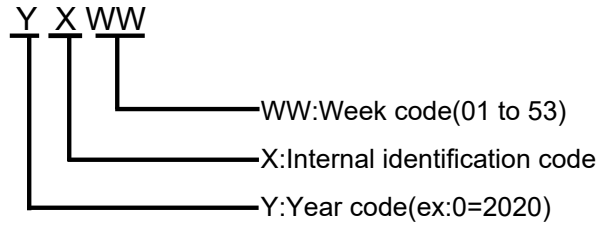
TO-247



Marking Information



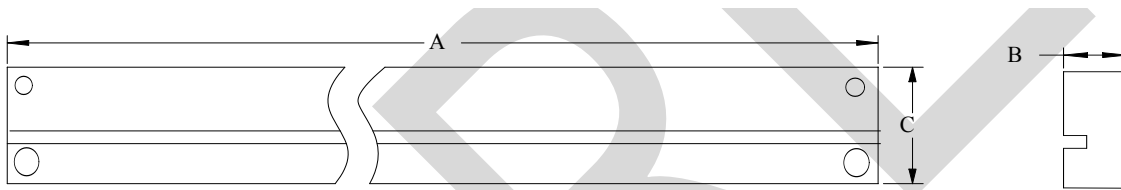
- ① W : Company's trademark
- ② Product model : MUR3060PT
- ③ PDC information :



- ④ Double wafer

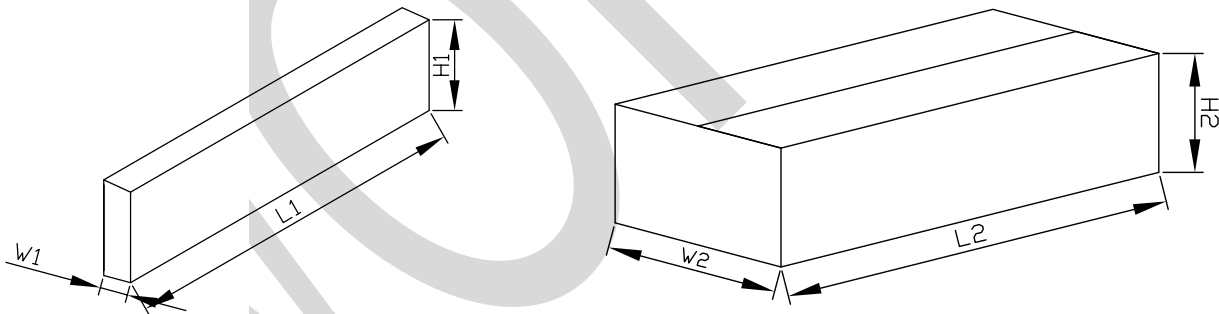
Packaging Information

1. Tube Dimensions



2. Inside Box

3. Outside Box



Packaging Information

NO	UNIT	Tube Dimensions			Inside Box			Outside Box		
		A	B	C	L1	W1	H1	L2	W2	H2
Size	mm	505	7	43	535	55	162	550	245	180
QTY	PCS	30PCS/Tube			Smallest package,600PCS, 20 tube in total			2,400PCS/carton,4 boxes in total		
Note	Tolerance $\leq 20\text{mm}, \pm 3\text{mm};$ 21-100mm, $\pm 5\text{mm};$ 101-500mm, $\pm 10\text{mm}$									